



Convector

Catalog



MANUFACTURERS

OF HYDRONIC

HEATING

PRODUCTS

www.sigmaproducts.com Tel: (905) 670-3200 Fax: (905) 670-3822



Sigma Convectors are available in a number of cabinet styles to suit any building interior. Convectors can be specified as slope top, flat top, fully or semi-recessed. In addition, all styles are available as either above-floor mount or as floor-mounted units with either full inlet grille or with arched inlet. Cabinets match industry-standard dimensions in height and in length. All models are available as standard from 16" to 72" in length. Units may be ordered with virtually any combination of depth, height and length, upon request.

Cabinets. Cabinet fronts and lines are constructed from heavy duty corrosion resistant 18 ga. steel. Heavier gauges (such as 14 or 16 ga.) may be ordered for the front cover and/or complete convector cabinet. Unless otherwise requested, the removable front panel is fastened securely to the cabinet and not to the wall. It is easily removed for unit inspection and cleaning.

Coils. Heating coils are manufactured from 1/2" outside diameter seamless copper tubes which are expanded into collared aluminium fins. This forced expansion creates a durable mechanical bond between the fins and the tubes. Coils are designed for working pressures up to 150 psi and have 3/4" NPT connections as standard.

Access Doors. Optional Access Doors provide access for inspection and operation of field -installed valves, traps and/or air vents.

Tamper-Proof Fasteners. Optional Tamper-Proof fasteners are available upon request.

Damper. The optional damper provides simple and effective control of the heating output from the convector.

Finish. Sigma Convectors are supplied with a high quality prime coat paint finish. As an option, the cover and/or entire cabinet may be ordered with a choice from industry-standard baked enamel colours. Custom baked enamel colours are available upon request.

Special Options. The following special options are available (contact factory for details): custom length, depth and height, architectural bargrille for inlet and/or outlet of convector, perforated inlet/outlet of convector, insulated liner and/or front cover, special finishes for cover (stainless steel, brass, brushed or anodized aluminum).

Convectors

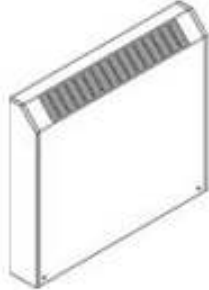




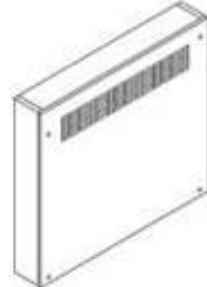
CWS - SLOPED TOP CONVECTOR

CWF - EXPOSED CONVECTOR

CWS
Wall Type Convector
(p. 4)



CWF
Wall Type Convector
(p. 7)



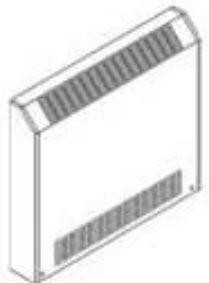
CWS-A
Free Standing
Convector
Floor Mounted
Open Inlet
(p. 5)



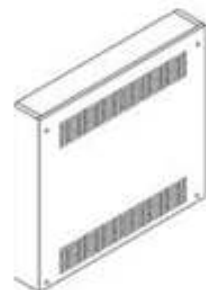
CWF-A
Free Standing
Convector
Floor Mounted
Open Inlet
(p. 8)



CWS-B
Free Standing
Convector
Floor Mounted
Grille Inlet
(p. 6)



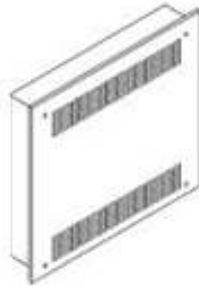
CWF-B
Free Standing
Convector
Floor Mounted
Grille Inlet
(p. 9)





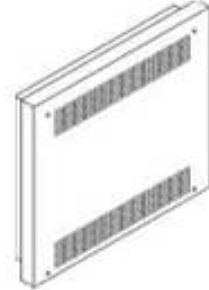
CFR - FULLY RECESSED CONVECTOR

CFR
Fully Recessed
Convactor
Wall Hung
Grille Inlet
(p. 10)

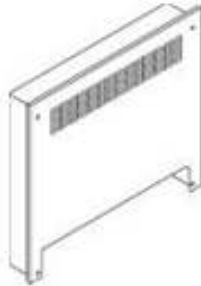


CSR - SEMI RECESSED CONVECTOR

CSR
Semi-Recessed
Convactor
Wall Hung
Grille Inlet
(p. 13)



CFR-A
Fully Recessed
Convactor
Floor Mounted
Open Inlet
(p. 11)



CSR-A
Semi-Recessed
Convactor
Floor Mounted
Open Inlet
(p. 14)



CFR-B
Fully Recessed
Convactor
Floor Mounted
Grille Inlet
(p. 12)



CSR-B
Semi-Recessed
Convactor
Floor Mounted
Grille Inlet
(p. 15)



CSR-C
Semi-Recessed
Convactor
Wall Hung
Open Inlet
(p. 16)

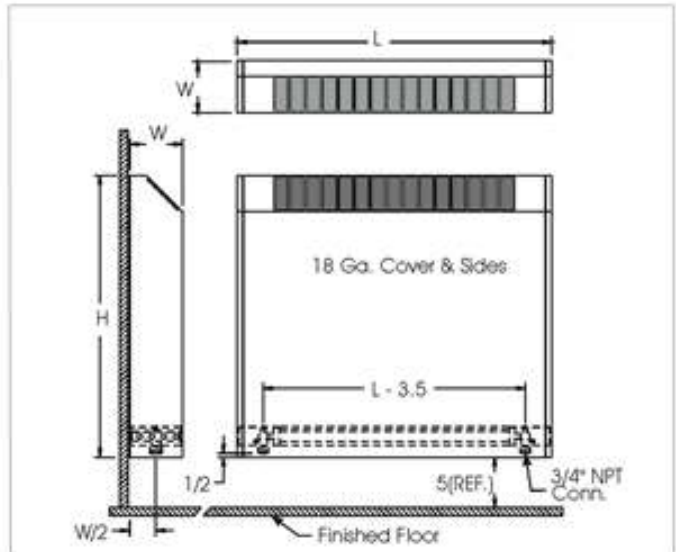


Convectors

CWS - Wall Type Convector



The wall hung convector is ideal for use in entrances and other areas where heat losses are predominant. This model facilitates the cleaning of floors and carpets. The sloped top deters use of the convector as a seat or shelf. Convector cover is firmly attached to convector frame with fixed screws. The element may be pitched at one end or the other to enable proper air venting or condensate flow.



DIMENSIONS FOR ALL LENGTHS (L)

UNIT DEPTH	4W	6W	8W	10W
W	4 1/2"	6 1/2"	8 1/2"	10 1/2"

TYPE CWS CONVECTOR RATINGS AT 180°F AVG WATER TEMPERATURE, 65°F AIR (RATINGS IN MBH)

HEIGHT (H)	WIDTH	LENGTH (L)											
		16"	20"	24"	28"	32"	36"	40"	44"	48"	56"	64"	72"
14"	4W	1.5	2.0	2.5	3.1	3.6	4.1	4.6	5.1	5.6	6.6	7.6	8.6
	6W	2.3	3.0	3.7	4.5	5.2	6.0	6.7	7.5	8.2	9.7	11.2	12.7
	8W	2.8	3.8	4.7	5.6	6.6	7.5	8.4	9.4	10.3	12.2	14.1	15.9
	10W	3.4	4.5	5.7	6.8	7.9	9.0	10.2	11.3	12.4	14.7	16.9	19.2
18"	4W	1.6	2.2	2.7	3.3	3.8	4.3	4.9	5.4	6.0	7.1	8.1	9.2
	6W	2.4	3.2	4.0	4.8	5.6	6.4	7.2	8.0	8.8	10.4	12.0	13.6
	8W	3.0	4.0	5.0	6.0	7.0	8.0	9.0	10.0	11.0	13.0	15.0	17.0
	10W	3.7	4.9	6.1	7.3	8.5	9.7	10.9	12.1	13.3	15.7	18.1	20.5
20"	4W	1.7	2.2	2.8	3.3	3.9	4.5	5.0	5.6	6.1	7.2	8.3	9.4
	6W	2.5	3.3	4.1	4.9	5.7	6.6	7.4	8.2	9.0	10.6	12.3	13.9
	8W	3.1	4.1	5.2	6.2	7.2	8.2	9.3	10.3	11.3	13.4	15.4	17.4
	10W	3.7	5.0	6.2	7.4	8.7	9.9	11.1	12.4	13.6	16.1	18.5	21.0
26"	4W	1.8	2.4	3.0	3.6	4.1	4.7	5.3	5.9	6.5	7.7	8.9	10.0
	6W	2.6	3.5	4.4	5.2	6.1	7.0	7.8	8.7	9.6	11.3	13.0	14.8
	8W	3.3	4.4	5.5	6.6	7.7	8.8	9.8	10.9	12.0	14.2	16.4	18.6
	10W	4.0	5.3	6.6	7.9	9.2	10.5	11.9	13.2	14.5	17.1	19.7	22.4
32"	4W	1.9	2.5	3.1	3.8	4.4	5.0	5.6	6.2	6.9	8.1	9.3	10.6
	6W	2.8	3.7	4.6	5.5	6.4	7.4	8.3	9.2	10.1	11.9	13.8	15.6
	8W	3.5	4.6	5.8	6.9	8.1	9.2	10.4	11.5	12.7	15.0	17.3	19.6
	10W	4.2	5.6	7.0	8.4	9.7	11.1	12.5	13.9	15.3	18.0	20.8	23.6



Convectors

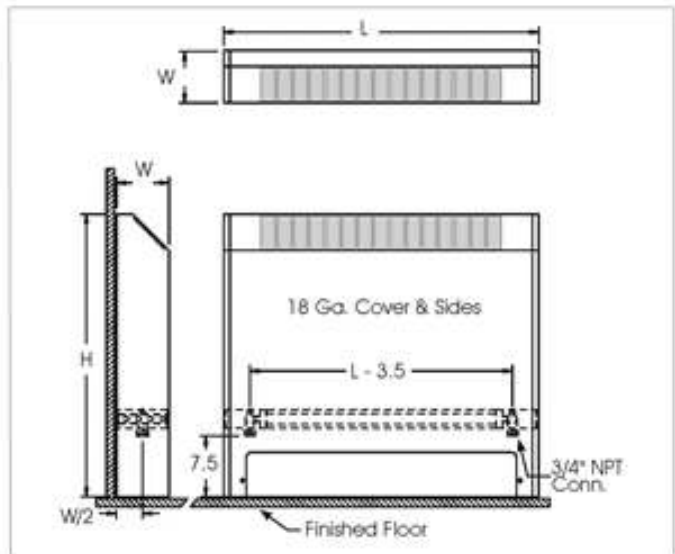
CWS-A - Free Standing Convector Floor Mount - Open Inlet



The free standing wall convector is ideal for use in entrances and other areas where heat losses are predominant. The sloped top deters use of the convector as a seat or shelf. Convector cover is firmly attached to convector frame with fixed screws. The element may be pitched at one end or the other to enable proper air venting or condensate flow.

DIMENSIONS FOR ALL LENGTHS (L)

UNIT DEPTH	4W	6W	8W	10W
W	4 1/2"	6 1/2"	8 1/2"	10 1/2"



TYPE CWS-A CONVECTOR RATINGS AT 180°F AVG WATER TEMPERATURE, 65°F AIR (IN MBH)

HEIGHT (H)	WIDTH	LENGTH (L)											
		16"	20"	24"	28"	32"	36"	40"	44"	48"	56"	64"	72"
18"	4W	1.5	2.0	2.5	2.9	3.4	3.9	4.4	4.9	5.4	6.3	7.3	8.3
	6W	2.2	2.9	3.6	4.3	5.0	5.8	6.5	7.2	7.9	9.3	10.8	12.2
	8W	2.7	3.6	4.5	5.4	6.3	7.2	8.1	9.0	9.9	11.7	13.5	15.3
	10W	3.3	4.4	5.5	6.5	7.6	8.7	9.8	10.9	12.0	14.1	16.3	18.4
20"	4W	1.5	2.0	2.5	3.1	3.6	4.1	4.6	5.1	5.6	6.6	7.6	8.6
	6W	2.3	3.0	3.7	4.5	5.2	6.0	6.7	7.5	8.2	9.7	11.2	12.7
	8W	2.8	3.8	4.7	5.6	6.6	7.5	8.4	9.4	10.3	12.2	14.1	15.9
	10W	3.4	4.5	5.7	6.8	7.9	9.0	10.2	11.3	12.4	14.7	16.9	19.2
24"	4W	1.6	2.2	2.7	3.3	3.8	4.3	4.9	5.4	6.0	7.1	8.1	9.2
	6W	2.4	3.2	4.0	4.8	5.6	6.4	7.2	8.0	8.8	10.4	12.0	13.6
	8W	3.0	4.0	5.0	6.0	7.0	8.0	9.0	10.0	11.0	13.0	15.0	17.0
	10W	3.7	4.9	6.1	7.3	8.5	9.7	10.9	12.1	13.3	15.7	18.1	20.5
26"	4W	1.7	2.2	2.8	3.3	3.9	4.5	5.0	5.6	6.1	7.2	8.3	9.4
	6W	2.5	3.3	4.1	4.9	5.7	6.6	7.4	8.2	9.0	10.6	12.3	13.9
	8W	3.1	4.1	5.2	6.2	7.2	8.2	9.3	10.3	11.3	13.4	15.4	17.4
	10W	3.7	5.0	6.2	7.4	8.7	9.9	11.1	12.4	13.6	16.1	18.5	21.0
32"	4W	1.8	2.4	3.0	3.6	4.1	4.7	5.3	5.9	6.5	7.7	8.9	10.0
	6W	2.6	3.5	4.4	5.2	6.1	7.0	7.8	8.7	9.6	11.3	13.0	14.8
	8W	3.3	4.4	5.5	6.6	7.7	8.8	9.8	10.9	12.0	14.2	16.4	18.6
	10W	4.0	5.3	6.6	7.9	9.2	10.5	11.9	13.2	14.5	17.1	19.7	22.4



Convectors

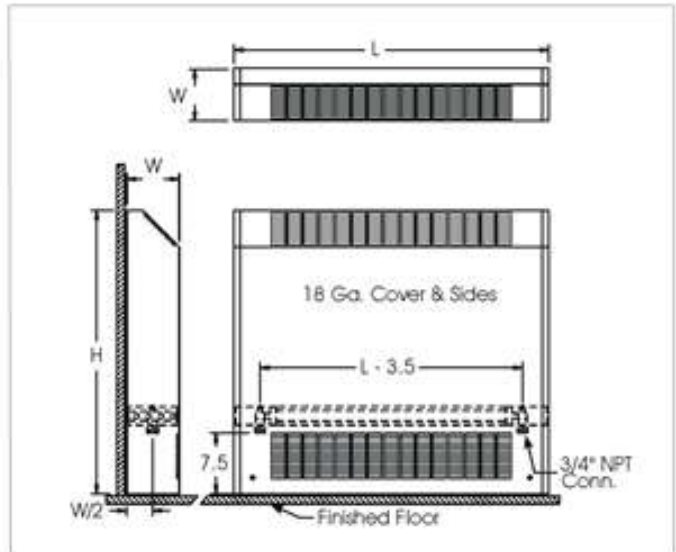
CWS-B - Free Standing Convector Floor Mount - Grille Inlet



The free standing wall convector is ideal for use in entrances and other areas where heat losses are predominant. The slope top deters use of the convector as a seat or shelf. Convector cover is firmly attached to convector frame with fixed screws. The element may be pitched at one end or the other to enable proper air venting or condensate flow.

DIMENSIONS FOR ALL LENGTHS (L)

UNIT DEPTH	4W	6W	8W	10W
W	4 1/2"	6 1/2"	8 1/2"	10 1/2"



TYPE CWS-B CONVECTOR RATINGS AT 180°F AVG WATER TEMPERATURE, 65°F AIR (IN MBH)

HEIGHT (H)	WIDTH	LENGTH (L)											
		16"	20"	24"	28"	32"	36"	40"	44"	48"	56"	64"	72"
18"	4W	1.4	1.9	2.4	2.8	3.3	3.8	4.3	4.7	5.2	6.1	7.1	8.0
	6W	2.0	2.7	3.4	4.0	4.7	5.4	6.0	6.7	7.3	8.7	10.0	11.3
	8W	2.5	3.3	4.1	4.9	5.7	6.5	7.3	8.1	8.9	10.6	12.2	13.8
	10W	2.9	3.8	4.7	5.7	6.6	7.6	8.5	9.5	10.4	12.3	14.2	16.0
20"	4W	1.5	2.0	2.5	3.0	3.5	3.9	4.4	4.9	5.4	6.4	7.4	8.4
	6W	2.1	2.8	3.5	4.2	4.9	5.6	6.3	7.0	7.7	9.1	10.5	11.9
	8W	2.6	3.4	4.3	5.1	6.0	6.8	7.7	8.5	9.4	11.1	12.8	14.5
	10W	3.0	4.0	5.0	6.0	7.1	8.1	9.1	10.1	11.1	13.1	15.1	17.1
24"	4W	1.6	2.1	2.7	3.2	3.7	4.3	4.8	5.3	5.9	6.9	8.0	9.0
	6W	2.3	3.1	3.9	4.6	5.4	6.1	6.9	7.7	8.4	10.0	11.5	13.0
	8W	2.8	3.8	4.7	5.6	6.5	7.5	8.4	9.3	10.3	12.1	14.0	15.9
	10W	3.3	4.4	5.5	6.5	7.6	8.7	9.8	10.9	12.0	14.1	16.3	18.5
26"	4W	1.6	2.2	2.7	3.3	3.8	4.4	4.9	5.4	6.0	7.1	8.2	9.2
	6W	2.4	3.2	3.9	4.7	5.5	6.3	7.1	7.9	8.6	10.2	11.8	13.3
	8W	2.9	3.9	4.9	5.8	6.8	7.7	8.7	9.7	10.6	12.6	14.5	16.4
	10W	3.4	4.6	5.7	6.9	8.0	9.1	10.3	11.4	12.5	14.8	17.1	19.3
32"	4W	1.8	2.4	2.9	3.5	4.1	4.7	5.3	5.9	6.4	7.6	8.8	9.9
	6W	2.6	3.4	4.3	5.1	6.0	6.8	7.7	8.5	9.4	11.1	12.8	14.5
	8W	3.2	4.3	5.3	6.4	7.4	8.5	9.6	10.6	11.7	13.8	15.9	18.0
	10W	3.8	5.1	6.3	7.6	8.9	10.1	11.4	12.6	13.9	16.4	18.9	21.5



Convectors

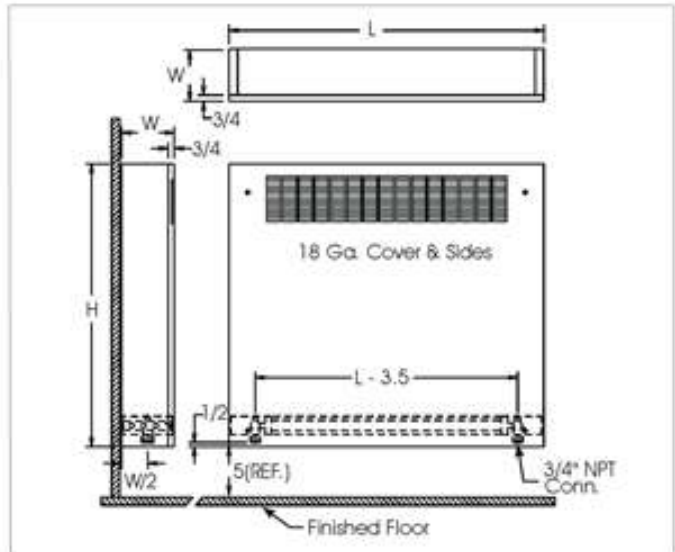
CWF - Wall Type Convector



The wall type convector is ideal for use in entrances and other areas where heat losses are predominant. This model facilitates the cleaning of floors and carpets. Convector cover is firmly attached to convector frame with fixed screws. The element may be pitched at one end or the other to enable proper air venting or condensate flow.

DIMENSIONS FOR ALL LENGTHS (L)

UNIT DEPTH	4W	6W	8W	10W
W	4 1/2"	6 1/2"	8 1/2"	10 1/2"



TYPE CWF CONVECTOR RATINGS AT 180°F AVG WATER TEMPERATURE, 65°F AIR (IN MBH)

HEIGHT (H)	WIDTH	LENGTH (L)											
		16"	20"	24"	28"	32"	36"	40"	44"	48"	56"	64"	72"
14"	4W	1.2	1.7	2.1	2.5	2.9	3.3	3.7	4.1	4.5	5.3	6.1	7.0
	6W	1.8	2.4	3.0	3.6	4.2	4.8	5.4	6.0	6.6	7.8	9.1	10.3
	8W	2.3	3.1	3.8	4.6	5.3	6.1	6.8	7.6	8.3	9.9	11.4	12.9
	10W	2.8	3.7	4.6	5.5	6.4	7.3	8.2	9.1	10.1	11.9	13.7	15.5
18"	4W	1.4	1.9	2.3	2.8	3.2	3.7	4.2	4.6	5.1	6.0	6.9	7.8
	6W	2.1	2.7	3.4	4.1	4.8	5.4	6.1	6.8	7.5	8.8	10.2	11.5
	8W	2.6	3.4	4.3	5.1	6.0	6.8	7.7	8.5	9.4	11.1	12.8	14.5
	10W	3.1	4.1	5.2	6.2	7.2	8.2	9.3	10.3	11.3	13.4	15.4	17.5
20"	4W	1.4	1.9	2.4	2.9	3.4	3.8	4.3	4.8	5.3	6.2	7.2	8.1
	6W	2.1	2.8	3.5	4.2	4.9	5.6	6.3	7.0	7.7	9.1	10.5	12.0
	8W	2.7	3.6	4.4	5.3	6.2	7.1	8.0	8.8	9.7	11.5	13.3	15.0
	10W	3.2	4.3	5.3	6.4	7.5	8.5	9.6	10.7	11.7	13.8	16.0	18.1
26"	4W	1.6	2.1	2.6	3.1	3.6	4.1	4.7	5.2	5.7	6.7	7.7	8.8
	6W	2.3	3.1	3.8	4.6	5.3	6.1	6.9	7.6	8.4	9.9	11.4	12.9
	8W	2.9	3.8	4.8	5.8	6.7	7.7	8.6	9.6	10.5	12.4	14.3	16.2
	10W	3.5	4.6	5.8	6.9	8.1	9.2	10.4	11.5	12.7	15.0	17.3	19.5
32"	4W	1.7	2.2	2.8	3.3	3.9	4.4	4.9	5.5	6.0	7.1	8.2	9.3
	6W	2.4	3.3	4.1	4.9	5.7	6.5	7.3	8.1	8.9	10.5	12.1	13.7
	8W	3.1	4.1	5.1	6.1	7.1	8.1	9.1	10.2	11.2	13.2	15.2	17.2
	10W	3.7	4.9	6.1	7.4	8.6	9.8	11.0	12.2	13.5	15.9	18.3	20.8



Convectors

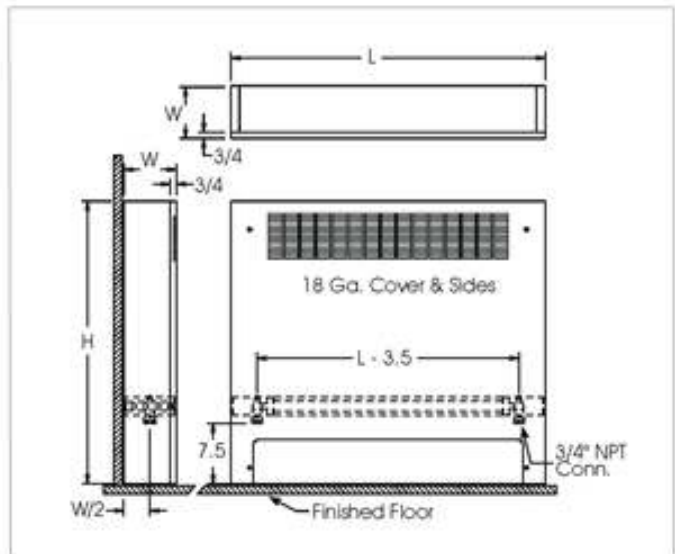
CWF-A - Free Standing Convector Floor Mount - Open Inlet



The wall type convector is ideal for use in entrances and other areas where heat losses are predominant. This model facilitates the cleaning of floors and carpets. Convector cover is firmly attached to convector frame with fixed screws. The element may be pitched at one end or the other to enable proper air venting or condensate flow.

DIMENSIONS FOR ALL LENGTHS (L)

UNIT DEPTH	4W	6W	8W	10W
W	4 1/2"	6 1/2"	8 1/2"	10 1/2"



TYPE CWF-A CONVECTOR RATINGS AT 180°F AVG WATER TEMPERATURE, 65°F AIR (IN MBH)

HEIGHT (H)	WIDTH	LENGTH (L)											
		16"	20"	24"	28"	32"	36"	40"	44"	48"	56"	64"	72"
18"	4W	1.2	1.6	1.9	2.3	2.7	3.1	3.5	3.9	4.3	5.0	5.8	6.6
	6W	1.7	2.3	2.9	3.4	4.0	4.6	5.1	5.7	6.3	7.4	8.6	9.7
	8W	2.2	2.9	3.6	4.3	5.0	5.7	6.5	7.2	7.9	9.3	10.7	12.2
	10W	2.6	3.5	4.3	5.2	6.1	6.9	7.8	8.6	9.5	11.2	12.9	14.7
20"	4W	1.2	1.7	2.1	2.5	2.9	3.3	3.7	4.1	4.5	5.3	6.1	7.0
	6W	1.8	2.4	3.0	3.6	4.2	4.8	5.4	6.0	6.6	7.8	9.1	10.3
	8W	2.3	3.1	3.8	4.6	5.3	6.1	6.8	7.6	8.3	9.9	11.4	12.9
	10W	2.8	3.7	4.6	5.5	6.4	7.3	8.2	9.1	10.1	11.9	13.7	15.5
24"	4W	1.4	1.9	2.3	2.8	3.2	3.7	4.2	4.6	5.1	6.0	6.9	7.8
	6W	2.1	2.7	3.4	4.1	4.8	5.4	6.1	6.8	7.5	8.8	10.2	11.5
	8W	2.6	3.4	4.3	5.1	6.0	6.8	7.7	8.5	9.4	11.1	12.8	14.5
	10W	3.1	4.1	5.2	6.2	7.2	8.2	9.3	10.3	11.3	13.4	15.4	17.5
26"	4W	1.4	1.9	2.4	2.9	3.4	3.8	4.3	4.8	5.3	6.2	7.2	8.1
	6W	2.1	2.8	3.5	4.2	4.9	5.6	6.3	7.0	7.7	9.1	10.5	12.0
	8W	2.7	3.6	4.4	5.3	6.2	7.1	8.0	8.8	9.7	11.5	13.3	15.0
	10W	3.2	4.3	5.3	6.4	7.5	8.5	9.6	10.7	11.7	13.8	16.0	18.1
32"	4W	1.6	2.1	2.6	3.1	3.6	4.1	4.7	5.2	5.7	6.7	7.7	8.8
	6W	2.3	3.1	3.8	4.6	5.3	6.1	6.9	7.6	8.4	9.9	11.4	12.9
	8W	2.9	3.8	4.8	5.8	6.7	7.7	8.6	9.6	10.5	12.4	14.3	16.2
	10W	3.5	4.6	5.8	6.9	8.1	9.2	10.4	11.5	12.7	15.0	17.3	19.5



Convectors

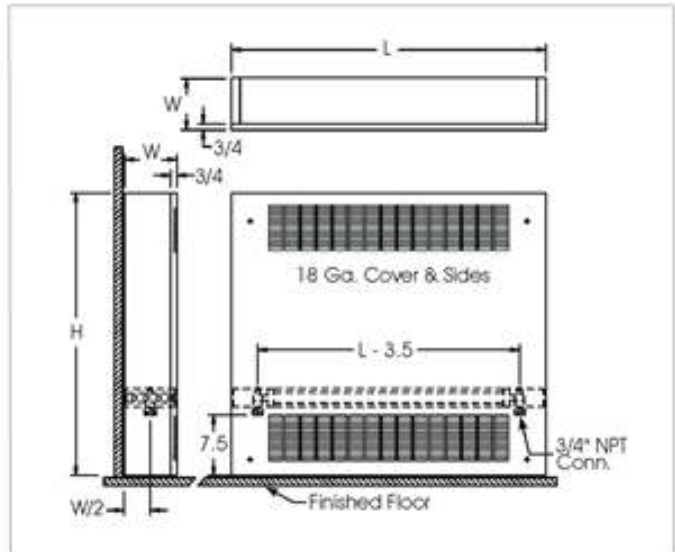
CWF-B - Free Standing Convector Floor Mount - Grille Inlet



The free standing convector is ideal for use in entrances and other areas where heat losses are predominant. Convector cover is firmly attached to convector frame with fixed screws. The element may be pitched at one end or the other to enable proper air venting or condensate flow.

DIMENSIONS FOR ALL LENGTHS (L)

UNIT DEPTH	4W	6W	8W	10W
W	4 1/2"	6 1/2"	8 1/2"	10 1/2"



TYPE CWF-B CONVECTOR RATINGS AT 180°F AVG WATER TEMPERATURE, 65°F AIR (IN MBH)

HEIGHT (H)	WIDTH	LENGTH (L)											
		16"	20"	24"	28"	32"	36"	40"	44"	48"	56"	64"	72"
18"	4W	1.1	1.5	1.9	2.3	2.6	3.0	3.4	3.8	4.1	4.9	5.6	6.4
	6W	1.6	2.1	2.7	3.2	3.7	4.3	4.8	5.3	5.8	6.9	8.0	9.0
	8W	2.0	2.6	3.2	3.9	4.5	5.2	5.8	6.5	7.1	8.4	9.7	11.0
	10W	2.3	3.0	3.8	4.5	5.3	6.0	6.8	7.5	8.3	9.8	11.3	12.8
20"	4W	1.2	1.6	2.0	2.4	2.8	3.2	3.6	4.0	4.4	5.2	6.0	6.8
	6W	1.7	2.3	2.9	3.4	4.0	4.5	5.1	5.7	6.2	7.4	8.5	9.6
	8W	2.1	2.8	3.5	4.2	4.8	5.5	6.2	6.9	7.6	9.0	10.3	11.7
	10W	2.5	3.3	4.1	4.9	5.7	6.5	7.3	8.1	8.9	10.6	12.2	13.8
24"	4W	1.4	1.8	2.3	2.7	3.2	3.6	4.1	4.5	5.0	5.9	6.8	7.7
	6W	2.0	2.6	3.3	3.9	4.6	5.2	5.9	6.5	7.2	8.5	9.8	11.1
	8W	2.4	3.2	4.0	4.8	5.6	6.4	7.2	7.9	8.7	10.3	11.9	13.5
	10W	2.8	3.7	4.6	5.6	6.5	7.4	8.3	9.3	10.2	12.0	13.9	15.7
26"	4W	1.4	1.9	2.4	2.8	3.3	3.8	4.2	4.7	5.2	6.1	7.0	8.0
	6W	2.0	2.7	3.4	4.1	4.7	5.4	6.1	6.8	7.4	8.8	10.1	11.5
	8W	2.5	3.3	4.2	5.0	5.8	6.7	7.5	8.3	9.1	10.8	12.5	14.1
	10W	3.0	3.9	4.9	5.9	6.9	7.8	8.8	9.8	10.8	12.7	14.7	16.6
32"	4W	1.6	2.1	2.6	3.1	3.6	4.1	4.6	5.1	5.6	6.7	7.7	8.7
	6W	2.3	3.0	3.7	4.5	5.2	6.0	6.7	7.5	8.2	9.7	11.2	12.7
	8W	2.8	3.7	4.7	5.6	6.5	7.4	8.4	9.3	10.2	12.0	13.9	15.7
	10W	3.3	4.4	5.5	6.7	7.8	8.9	10.0	11.1	12.2	14.4	16.6	18.8

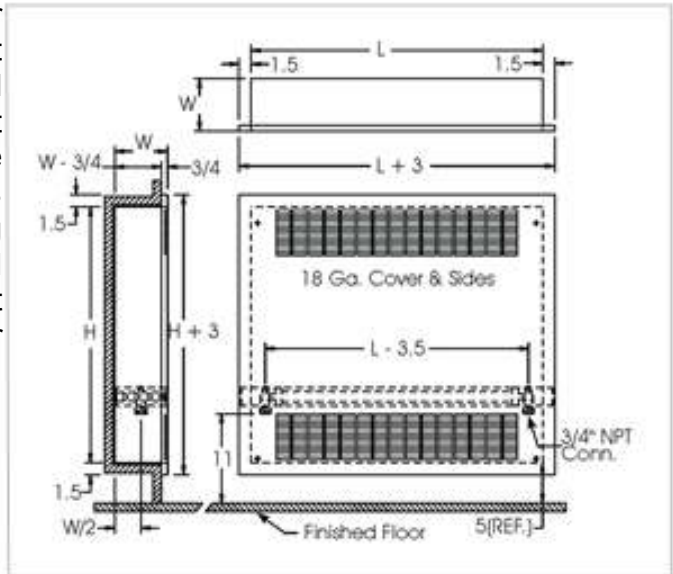


Convectors

CFR - Fully Recessed Convector



The fully recessed wall convector is ideal for use in entrances and other areas where heat losses are predominant. Designed for full space utilization, the front cover projects out from the wall a distance of 3/4". As well, the front cover extends 1-1/2" on all four sides providing a pleasing finish by overlapping the joint between the convector cabinet and the wall. The element may be pitched at one end or the other to enable proper air venting or condensate flow.



DIMENSIONS FOR ALL LENGTHS (L)

UNIT DEPTH	4W	6W	8W	10W
W	4 1/2"	6 1/2"	8 1/2"	10 1/2"

TYPE CFR CONVECTOR RATINGS AT 180°F AVG WATER TEMPERATURE, 65°F AIR (IN MBH)

HEIGHT (H)	WIDTH	LENGTH (L)											
		16"	20"	24"	28"	32"	36"	40"	44"	48"	56"	64"	72"
18"	4W	1.1	1.5	1.9	2.3	2.6	3.0	3.4	3.8	4.1	4.9	5.6	6.4
	6W	1.6	2.1	2.7	3.2	3.7	4.3	4.8	5.3	5.8	6.9	8.0	9.0
	8W	2.0	2.6	3.2	3.9	4.5	5.2	5.8	6.5	7.1	8.4	9.7	11.0
	10W	2.3	3.0	3.8	4.5	5.3	6.0	6.8	7.5	8.3	9.8	11.3	12.8
20"	4W	1.2	1.6	2.0	2.4	2.8	3.2	3.6	4.0	4.4	5.2	6.0	6.8
	6W	1.7	2.3	2.9	3.4	4.0	4.5	5.1	5.7	6.2	7.4	8.5	9.6
	8W	2.1	2.8	3.5	4.2	4.8	5.5	6.2	6.9	7.6	9.0	10.3	11.7
	10W	2.5	3.3	4.1	4.9	5.7	6.5	7.3	8.1	8.9	10.6	12.2	13.8
24"	4W	1.4	1.8	2.3	2.7	3.2	3.6	4.1	4.5	5.0	5.9	6.8	7.7
	6W	2.0	2.6	3.3	3.9	4.6	5.2	5.9	6.5	7.2	8.5	9.8	11.1
	8W	2.4	3.2	4.0	4.8	5.6	6.4	7.2	7.9	8.7	10.3	11.9	13.5
	10W	2.8	3.7	4.6	5.6	6.5	7.4	8.3	9.3	10.2	12.0	13.9	15.7
26"	4W	1.4	1.9	2.4	2.8	3.3	3.8	4.2	4.7	5.2	6.1	7.0	8.0
	6W	2.0	2.7	3.4	4.1	4.7	5.4	6.1	6.8	7.4	8.8	10.1	11.5
	8W	2.5	3.3	4.2	5.0	5.8	6.7	7.5	8.3	9.1	10.8	12.5	14.1
	10W	3.0	3.9	4.9	5.9	6.9	7.8	8.8	9.8	10.8	12.7	14.7	16.6
32"	4W	1.6	2.1	2.6	3.1	3.6	4.1	4.6	5.1	5.6	6.7	7.7	8.7
	6W	2.3	3.0	3.7	4.5	5.2	6.0	6.7	7.5	8.2	9.7	11.2	12.7
	8W	2.8	3.7	4.7	5.6	6.5	7.4	8.4	9.3	10.2	12.0	13.9	15.7
	10W	3.3	4.4	5.5	6.7	7.8	8.9	10.0	11.1	12.2	14.4	16.6	18.8



Convectors

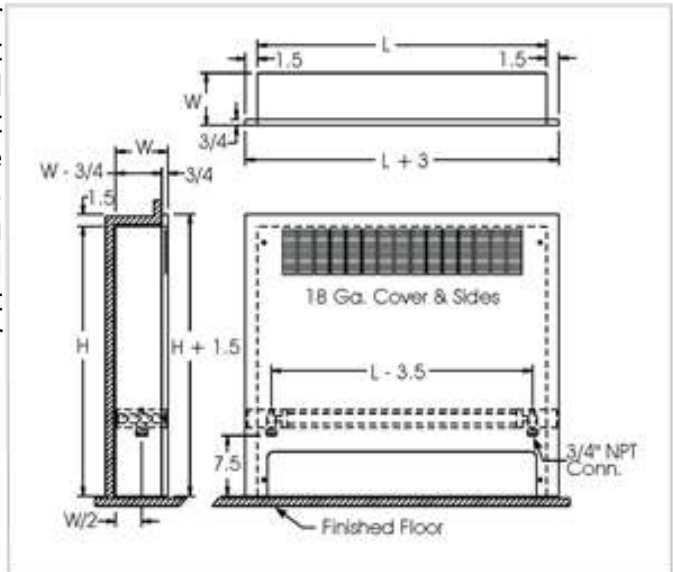
CFR-A - Fully Recessed Convector Floor Mount - Open Inlet



The fully recessed wall convector is ideal for use in entrances and other areas where heat losses are predominant. Designed for full space utilization, the front cover projects out from the wall a distance of 3/4". As well, the front cover extends 1-1/2" on all four sides providing a pleasing finish by overlapping the joint between the convector cabinet and the wall. The element may be pitched at one end or the other to enable proper air venting or condensate flow.

DIMENSIONS FOR ALL LENGTHS (L)

UNIT DEPTH	4W	6W	8W	10W
W	4 1/2"	6 1/2"	8 1/2"	10 1/2"



TYPE CFR-A CONVECTOR RATINGS AT 180°F AVG WATER TEMPERATURE, 65°F AIR (IN MBH)

HEIGHT (H)	WIDTH	LENGTH (L)											
		16"	20"	24"	28"	32"	36"	40"	44"	48"	56"	64"	72"
18"	4W	1.2	1.6	1.9	2.3	2.7	3.1	3.5	3.9	4.3	5.0	5.8	6.6
	6W	1.7	2.3	2.9	3.4	4.0	4.6	5.1	5.7	6.3	7.4	8.6	9.7
	8W	2.2	2.9	3.6	4.3	5.0	5.7	6.5	7.2	7.9	9.3	10.7	12.2
	10W	2.6	3.5	4.3	5.2	6.1	6.9	7.8	8.6	9.5	11.2	12.9	14.7
20"	4W	1.2	1.7	2.1	2.5	2.9	3.3	3.7	4.1	4.5	5.3	6.1	7.0
	6W	1.8	2.4	3.0	3.6	4.2	4.8	5.4	6.0	6.6	7.8	9.1	10.3
	8W	2.3	3.1	3.8	4.6	5.3	6.1	6.8	7.6	8.3	9.9	11.4	12.9
	10W	2.8	3.7	4.6	5.5	6.4	7.3	8.2	9.1	10.1	11.9	13.7	15.5
24"	4W	1.4	1.9	2.3	2.8	3.2	3.7	4.2	4.6	5.1	6.0	6.9	7.8
	6W	2.1	2.7	3.4	4.1	4.8	5.4	6.1	6.8	7.5	8.8	10.2	11.5
	8W	2.6	3.4	4.3	5.1	6.0	6.8	7.7	8.5	9.4	11.1	12.8	14.5
	10W	3.1	4.1	5.2	6.2	7.2	8.2	9.3	10.3	11.3	13.4	15.4	17.5
26"	4W	1.4	1.9	2.4	2.9	3.4	3.8	4.3	4.8	5.3	6.2	7.2	8.1
	6W	2.1	2.8	3.5	4.2	4.9	5.6	6.3	7.0	7.7	9.1	10.5	12.0
	8W	2.7	3.6	4.4	5.3	6.2	7.1	8.0	8.8	9.7	11.5	13.3	15.0
	10W	3.2	4.3	5.3	6.4	7.5	8.5	9.6	10.7	11.7	13.8	16.0	18.1
32"	4W	1.6	2.1	2.6	3.1	3.6	4.1	4.7	5.2	5.7	6.7	7.7	8.8
	6W	2.3	3.1	3.8	4.6	5.3	6.1	6.9	7.6	8.4	9.9	11.4	12.9
	8W	2.9	3.8	4.8	5.8	6.7	7.7	8.6	9.6	10.5	12.4	14.3	16.2
	10W	3.5	4.6	5.8	6.9	8.1	9.2	10.4	11.5	12.7	15.0	17.3	19.5

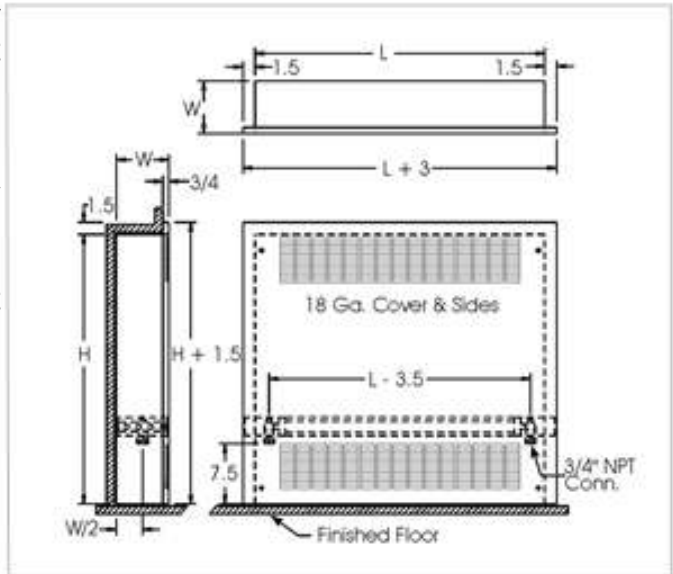


Convectors

CFR-B - Fully Recessed Convector Floor Mount - Grille Inlet



The fully recessed wall convector is ideal for use in entrances and other areas where heat losses are predominant. Designed for full space utilization, the front cover projects out from the wall a distance of 3/4". As well, the front cover extends 1-1/2" beyond convector height and length providing a pleasing finish by overlapping the joint between the convector cabinet and the wall. The element may be pitched at one end or the other to enable proper air venting or condensate flow.



DIMENSIONS FOR ALL LENGTHS (L)

UNIT DEPTH	4W	6W	8W	10W
W	4 1/2"	6 1/2"	8 1/2"	10 1/2"

TYPE CFR-B CONVECTOR RATINGS AT 180°F AVG WATER TEMPERATURE, 65°F AIR (IN MBH)

HEIGHT (H)	WIDTH	LENGTH (L)											
		16"	20"	24"	28"	32"	36"	40"	44"	48"	56"	64"	72"
18"	4W	1.1	1.5	1.9	2.3	2.6	3.0	3.4	3.8	4.1	4.9	5.6	6.4
	6W	1.6	2.1	2.7	3.2	3.7	4.3	4.8	5.3	5.8	6.9	8.0	9.0
	8W	2.0	2.6	3.2	3.9	4.5	5.2	5.8	6.5	7.1	8.4	9.7	11.0
	10W	2.3	3.0	3.8	4.5	5.3	6.0	6.8	7.5	8.3	9.8	11.3	12.8
20"	4W	1.2	1.6	2.0	2.4	2.8	3.2	3.6	4.0	4.4	5.2	6.0	6.8
	6W	1.7	2.3	2.9	3.4	4.0	4.5	5.1	5.7	6.2	7.4	8.5	9.6
	8W	2.1	2.8	3.5	4.2	4.8	5.5	6.2	6.9	7.6	9.0	10.3	11.7
	10W	2.5	3.3	4.1	4.9	5.7	6.5	7.3	8.1	8.9	10.6	12.2	13.8
24"	4W	1.4	1.8	2.3	2.7	3.2	3.6	4.1	4.5	5.0	5.9	6.8	7.7
	6W	2.0	2.6	3.3	3.9	4.6	5.2	5.9	6.5	7.2	8.5	9.8	11.1
	8W	2.4	3.2	4.0	4.8	5.6	6.4	7.2	7.9	8.7	10.3	11.9	13.5
	10W	2.8	3.7	4.6	5.6	6.5	7.4	8.3	9.3	10.2	12.0	13.9	15.7
26"	4W	1.4	1.9	2.4	2.8	3.3	3.8	4.2	4.7	5.2	6.1	7.0	8.0
	6W	2.0	2.7	3.4	4.1	4.7	5.4	6.1	6.8	7.4	8.8	10.1	11.5
	8W	2.5	3.3	4.2	5.0	5.8	6.7	7.5	8.3	9.1	10.8	12.5	14.1
	10W	3.0	3.9	4.9	5.9	6.9	7.8	8.8	9.8	10.8	12.7	14.7	16.6
32"	4W	1.6	2.1	2.6	3.1	3.6	4.1	4.6	5.1	5.6	6.7	7.7	8.7
	6W	2.3	3.0	3.7	4.5	5.2	6.0	6.7	7.5	8.2	9.7	11.2	12.7
	8W	2.8	3.7	4.7	5.6	6.5	7.4	8.4	9.3	10.2	12.0	13.9	15.7
	10W	3.3	4.4	5.5	6.7	7.8	8.9	10.0	11.1	12.2	14.4	16.6	18.8

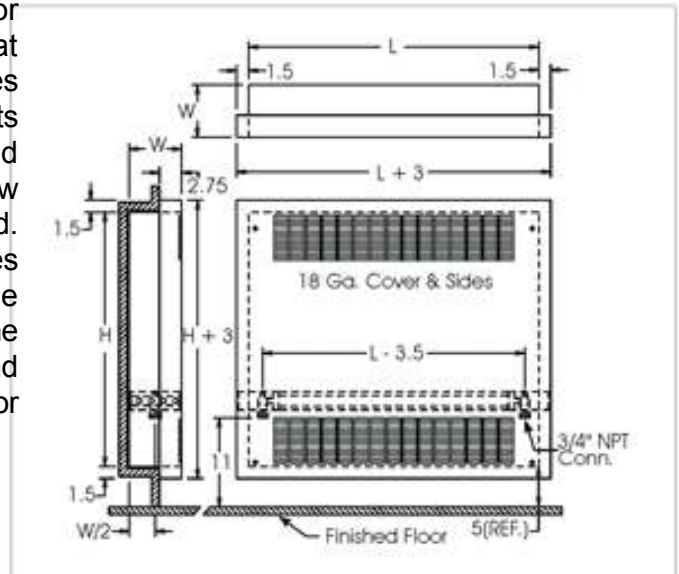


Convectors

CSR - Semi-Recessed Convector



The semi-recessed wall convector is ideal for use in entrances and other areas where heat losses are predominant. This model facilitates the cleaning of floors and carpets. These units project a distance of 2-3/4" from the wall and are particularly useful for installation in narrow walls where higher capacity units are required. Front cover extends 1-1/2" on all four sides providing a pleasing finish by overlapping the joint between the convector cabinet and the wall. The element may be pitched at one end or the other to enable proper air venting or condensate flow.



DIMENSIONS FOR ALL LENGTHS (L)

UNIT DEPTH	4W	6W	8W	10W
W	4 1/2"	6 1/2"	8 1/2"	10 1/2"

TYPE CSR CONVECTOR RATINGS AT 180°F AVG WATER TEMPERATURE, 65°F AIR (IN MBH)

HEIGHT (H)	WIDTH	LENGTH (L)											
		16"	20"	24"	28"	32"	36"	40"	44"	48"	56"	64"	72"
18"	4W	1.1	1.5	1.9	2.3	2.6	3.0	3.4	3.8	4.1	4.9	5.6	6.4
	6W	1.6	2.1	2.7	3.2	3.7	4.3	4.8	5.3	5.8	6.9	8.0	9.0
	8W	2.0	2.6	3.2	3.9	4.5	5.2	5.8	6.5	7.1	8.4	9.7	11.0
	10W	2.3	3.0	3.8	4.5	5.3	6.0	6.8	7.5	8.3	9.8	11.3	12.8
20"	4W	1.2	1.6	2.0	2.4	2.8	3.2	3.6	4.0	4.4	5.2	6.0	6.8
	6W	1.7	2.3	2.9	3.4	4.0	4.5	5.1	5.7	6.2	7.4	8.5	9.6
	8W	2.1	2.8	3.5	4.2	4.8	5.5	6.2	6.9	7.6	9.0	10.3	11.7
	10W	2.5	3.3	4.1	4.9	5.7	6.5	7.3	8.1	8.9	10.6	12.2	13.8
24"	4W	1.4	1.8	2.3	2.7	3.2	3.6	4.1	4.5	5.0	5.9	6.8	7.7
	6W	2.0	2.6	3.3	3.9	4.6	5.2	5.9	6.5	7.2	8.5	9.8	11.1
	8W	2.4	3.2	4.0	4.8	5.6	6.4	7.2	7.9	8.7	10.3	11.9	13.5
	10W	2.8	3.7	4.6	5.6	6.5	7.4	8.3	9.3	10.2	12.0	13.9	15.7
26"	4W	1.4	1.9	2.4	2.8	3.3	3.8	4.2	4.7	5.2	6.1	7.0	8.0
	6W	2.0	2.7	3.4	4.1	4.7	5.4	6.1	6.8	7.4	8.8	10.1	11.5
	8W	2.5	3.3	4.2	5.0	5.8	6.7	7.5	8.3	9.1	10.8	12.5	14.1
	10W	3.0	3.9	4.9	5.9	6.9	7.8	8.8	9.8	10.8	12.7	14.7	16.6
32"	4W	1.6	2.1	2.6	3.1	3.6	4.1	4.6	5.1	5.6	6.7	7.7	8.7
	6W	2.3	3.0	3.7	4.5	5.2	6.0	6.7	7.5	8.2	9.7	11.2	12.7
	8W	2.8	3.7	4.7	5.6	6.5	7.4	8.4	9.3	10.2	12.0	13.9	15.7
	10W	3.3	4.4	5.5	6.7	7.8	8.9	10.0	11.1	12.2	14.4	16.6	18.8

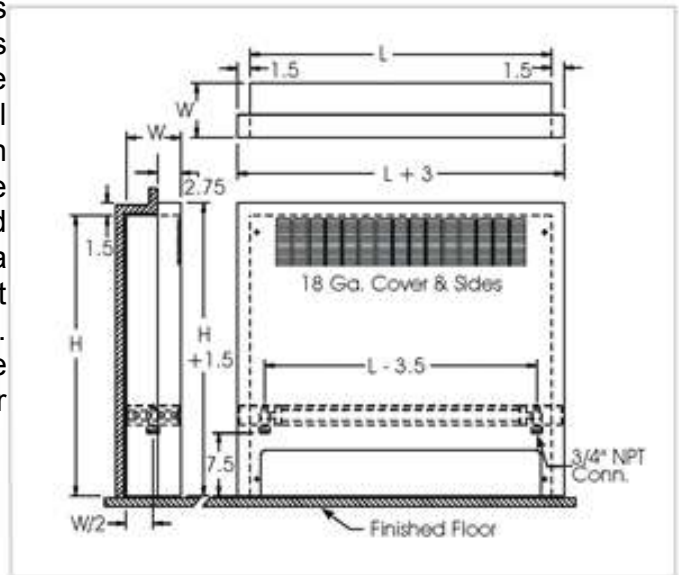


Convectors

CSR-A - Semi-Recessed Convector Floor Mount - Open Inlet



The semi-recessed floor mounted convector is ideal for use in entrances and other areas where heat losses are predominant. These units project a distance of 2-3/4" from the wall and are particularly useful for installation in narrow walls where higher capacity units are required. Front cover extends 1-1/2" beyond convector height and length providing a pleasing finish by overlapping the joint between the convector cabinet and the wall. The element may be pitched at one end or the other to enable proper air venting or condensate flow.



DIMENSIONS FOR ALL LENGTHS (L)

UNIT DEPTH	4W	6W	8W	10W
W	4 1/2"	6 1/2"	8 1/2"	10 1/2"

TYPE CSR-A CONVECTOR RATINGS AT 180°F AVG WATER TEMPERATURE, 65°F AIR (IN MBH)

HEIGHT (H)	WIDTH	LENGTH (L)											
		16"	20"	24"	28"	32"	36"	40"	44"	48"	56"	64"	72"
18"	4W	1.2	1.6	1.9	2.3	2.7	3.1	3.5	3.9	4.3	5.0	5.8	6.6
	6W	1.7	2.3	2.9	3.4	4.0	4.6	5.1	5.7	6.3	7.4	8.6	9.7
	8W	2.2	2.9	3.6	4.3	5.0	5.7	6.5	7.2	7.9	9.3	10.7	12.2
	10W	2.6	3.5	4.3	5.2	6.1	6.9	7.8	8.6	9.5	11.2	12.9	14.7
20"	4W	1.2	1.7	2.1	2.5	2.9	3.3	3.7	4.1	4.5	5.3	6.1	7.0
	6W	1.8	2.4	3.0	3.6	4.2	4.8	5.4	6.0	6.6	7.8	9.1	10.3
	8W	2.3	3.1	3.8	4.6	5.3	6.1	6.8	7.6	8.3	9.9	11.4	12.9
	10W	2.8	3.7	4.6	5.5	6.4	7.3	8.2	9.1	10.1	11.9	13.7	15.5
24"	4W	1.4	1.9	2.3	2.8	3.2	3.7	4.2	4.6	5.1	6.0	6.9	7.8
	6W	2.1	2.7	3.4	4.1	4.8	5.4	6.1	6.8	7.5	8.8	10.2	11.5
	8W	2.6	3.4	4.3	5.1	6.0	6.8	7.7	8.5	9.4	11.1	12.8	14.5
	10W	3.1	4.1	5.2	6.2	7.2	8.2	9.3	10.3	11.3	13.4	15.4	17.5
26"	4W	1.4	1.9	2.4	2.9	3.4	3.8	4.3	4.8	5.3	6.2	7.2	8.1
	6W	2.1	2.8	3.5	4.2	4.9	5.6	6.3	7.0	7.7	9.1	10.5	12.0
	8W	2.7	3.6	4.4	5.3	6.2	7.1	8.0	8.8	9.7	11.5	13.3	15.0
	10W	3.2	4.3	5.3	6.4	7.5	8.5	9.6	10.7	11.7	13.8	16.0	18.1
32"	4W	1.6	2.1	2.6	3.1	3.6	4.1	4.7	5.2	5.7	6.7	7.7	8.8
	6W	2.3	3.1	3.8	4.6	5.3	6.1	6.9	7.6	8.4	9.9	11.4	12.9
	8W	2.9	3.8	4.8	5.8	6.7	7.7	8.6	9.6	10.5	12.4	14.3	16.2
	10W	3.5	4.6	5.8	6.9	8.1	9.2	10.4	11.5	12.7	15.0	17.3	19.5

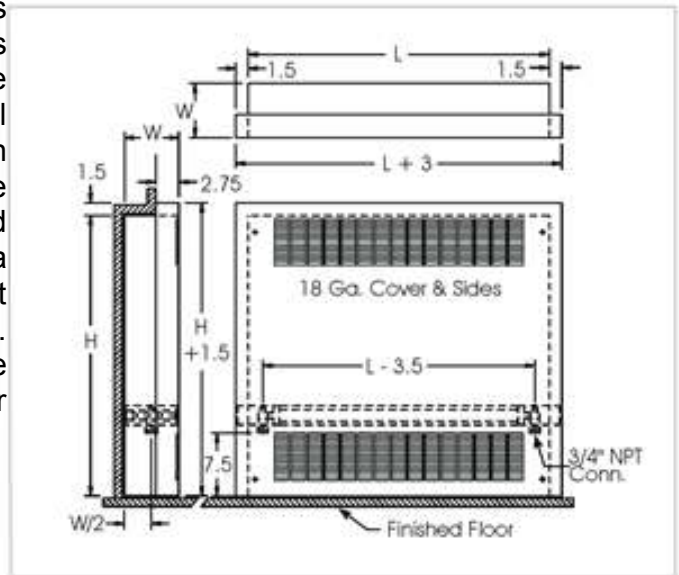


Convectors

CSR-B - Semi-Recessed Convector Floor Mount - Grille Inlet



The semi-recessed floor mounted convector is ideal for use in entrances and other areas where heat losses are predominant. These units project a distance of 2-3/4" from the wall and are particularly useful for installation in narrow walls where higher capacity units are required. Front cover extends 1-1/2" beyond convector height and length providing a pleasing finish by overlapping the joint between the convector cabinet and the wall. The element may be pitched at one end or the other to enable proper air venting or condensate flow.



DIMENSIONS FOR ALL LENGTHS (L)

UNIT DEPTH	4W	6W	8W	10W
W	4 1/2"	6 1/2"	8 1/2"	10 1/2"

TYPE CSR-B CONVECTOR RATINGS AT 180°F AVG WATER TEMPERATURE, 65°F AIR (IN MBH)

HEIGHT (H)	WIDTH	LENGTH (L)											
		16"	20"	24"	28"	32"	36"	40"	44"	48"	56"	64"	72"
18"	4W	1.1	1.5	1.9	2.3	2.6	3.0	3.4	3.8	4.1	4.9	5.6	6.4
	6W	1.6	2.1	2.7	3.2	3.7	4.3	4.8	5.3	5.8	6.9	8.0	9.0
	8W	2.0	2.6	3.2	3.9	4.5	5.2	5.8	6.5	7.1	8.4	9.7	11.0
	10W	2.3	3.0	3.8	4.5	5.3	6.0	6.8	7.5	8.3	9.8	11.3	12.8
20"	4W	1.2	1.6	2.0	2.4	2.8	3.2	3.6	4.0	4.4	5.2	6.0	6.8
	6W	1.7	2.3	2.9	3.4	4.0	4.5	5.1	5.7	6.2	7.4	8.5	9.6
	8W	2.1	2.8	3.5	4.2	4.8	5.5	6.2	6.9	7.6	9.0	10.3	11.7
	10W	2.5	3.3	4.1	4.9	5.7	6.5	7.3	8.1	8.9	10.6	12.2	13.8
24"	4W	1.4	1.8	2.3	2.7	3.2	3.6	4.1	4.5	5.0	5.9	6.8	7.7
	6W	2.0	2.6	3.3	3.9	4.6	5.2	5.9	6.5	7.2	8.5	9.8	11.1
	8W	2.4	3.2	4.0	4.8	5.6	6.4	7.2	7.9	8.7	10.3	11.9	13.5
	10W	2.8	3.7	4.6	5.6	6.5	7.4	8.3	9.3	10.2	12.0	13.9	15.7
26"	4W	1.4	1.9	2.4	2.8	3.3	3.8	4.2	4.7	5.2	6.1	7.0	8.0
	6W	2.0	2.7	3.4	4.1	4.7	5.4	6.1	6.8	7.4	8.8	10.1	11.5
	8W	2.5	3.3	4.2	5.0	5.8	6.7	7.5	8.3	9.1	10.8	12.5	14.1
	10W	3.0	3.9	4.9	5.9	6.9	7.8	8.8	9.8	10.8	12.7	14.7	16.6
32"	4W	1.6	2.1	2.6	3.1	3.6	4.1	4.6	5.1	5.6	6.7	7.7	8.7
	6W	2.3	3.0	3.7	4.5	5.2	6.0	6.7	7.5	8.2	9.7	11.2	12.7
	8W	2.8	3.7	4.7	5.6	6.5	7.4	8.4	9.3	10.2	12.0	13.9	15.7
	10W	3.3	4.4	5.5	6.7	7.8	8.9	10.0	11.1	12.2	14.4	16.6	18.8

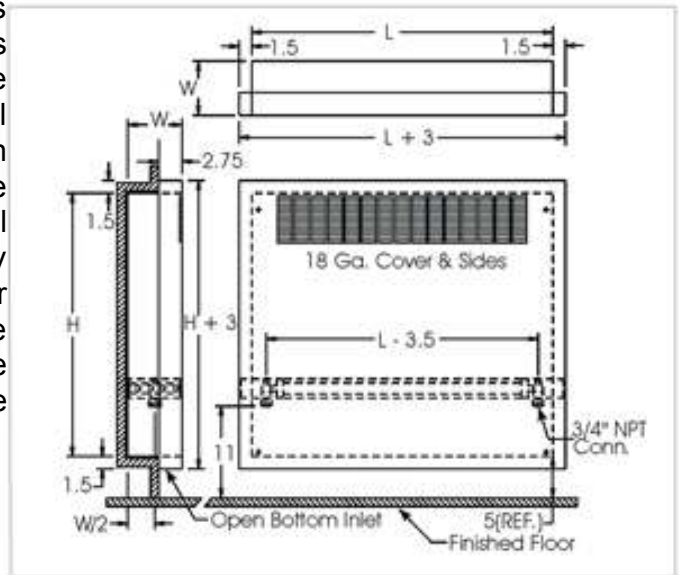


Convectors

CSR-C - Semi-Recessed Convector Wall Hung - Open Inlet



The semi-recessed wall hung convector is ideal for use in entrances and other areas where heat losses are predominant. These units project a distance of 2-3/4" from the wall and are particularly useful for installation in narrow walls where higher capacity units are required. Front cover extends 1-1/2" on all four sides providing a pleasing finish by overlapping the joint between the convector cabinet and the wall. Air inlet is through the open bottom of the convector cover. The element may be pitched at either end to enable proper air venting or condensate flow.



DIMENSIONS FOR ALL LENGTHS (L)

UNIT DEPTH	4W	6W	8W	10W
W	4 1/2"	6 1/2"	8 1/2"	10 1/2"

TYPE CSR-C CONVECTOR RATINGS AT 180°F AVG WATER TEMPERATURE, 65°F AIR (IN MBH)

HEIGHT (H)	WIDTH	LENGTH (L)											
		16"	20"	24"	28"	32"	36"	40"	44"	48"	56"	64"	72"
18"	4W	1.2	1.6	1.9	2.3	2.7	3.1	3.5	3.9	4.3	5.0	5.8	6.6
	6W	1.7	2.3	2.9	3.4	4.0	4.6	5.1	5.7	6.3	7.4	8.6	9.7
	8W	2.2	2.9	3.6	4.3	5.0	5.7	6.5	7.2	7.9	9.3	10.7	12.2
	10W	2.6	3.5	4.3	5.2	6.1	6.9	7.8	8.6	9.5	11.2	12.9	14.7
20"	4W	1.2	1.7	2.1	2.5	2.9	3.3	3.7	4.1	4.5	5.3	6.1	7.0
	6W	1.8	2.4	3.0	3.6	4.2	4.8	5.4	6.0	6.6	7.8	9.1	10.3
	8W	2.3	3.1	3.8	4.6	5.3	6.1	6.8	7.6	8.3	9.9	11.4	12.9
	10W	2.8	3.7	4.6	5.5	6.4	7.3	8.2	9.1	10.1	11.9	13.7	15.5
24"	4W	1.4	1.9	2.3	2.8	3.2	3.7	4.2	4.6	5.1	6.0	6.9	7.8
	6W	2.1	2.7	3.4	4.1	4.8	5.4	6.1	6.8	7.5	8.8	10.2	11.5
	8W	2.6	3.4	4.3	5.1	6.0	6.8	7.7	8.5	9.4	11.1	12.8	14.5
	10W	3.1	4.1	5.2	6.2	7.2	8.2	9.3	10.3	11.3	13.4	15.4	17.5
26"	4W	1.4	1.9	2.4	2.9	3.4	3.8	4.3	4.8	5.3	6.2	7.2	8.1
	6W	2.1	2.8	3.5	4.2	4.9	5.6	6.3	7.0	7.7	9.1	10.5	12.0
	8W	2.7	3.6	4.4	5.3	6.2	7.1	8.0	8.8	9.7	11.5	13.3	15.0
	10W	3.2	4.3	5.3	6.4	7.5	8.5	9.6	10.7	11.7	13.8	16.0	18.1
32"	4W	1.6	2.1	2.6	3.1	3.6	4.1	4.7	5.2	5.7	6.7	7.7	8.8
	6W	2.3	3.1	3.8	4.6	5.3	6.1	6.9	7.6	8.4	9.9	11.4	12.9
	8W	2.9	3.8	4.8	5.8	6.7	7.7	8.6	9.6	10.5	12.4	14.3	16.2
	10W	3.5	4.6	5.8	6.9	8.1	9.2	10.4	11.5	12.7	15.0	17.3	19.5





TABLE 1 ADJUSTMENT FACTORS FOR VARIOUS AVERAGE WATER TEMPERATURES AT 65 °F AIR

AVERAGE WATER TEMP (°F)	100	110	120	130	140	150	160	170	180	190	200	215	220
Factor	0.22	0.29	0.37	0.48	0.58	0.65	0.76	0.88	1.00	1.12	1.25	1.45	1.51

Note: To calculate ratings at various average water temperatures (AWT), multiply the factor in the table above with the rating at 180 °F AWT.

TABLE 2 CORRECTION FACTORS FOR VARIOUS WATER & AIR TEMPERATURES

AVERAGE WATER TEMP (°F)	ENTERING AIR TEMPERATURE (°F)									
	45	50	55	60	65	70	75	80	85	
160	1.04	0.97	0.90	0.83	0.76	0.70	0.64	0.58	0.52	
170	1.17	1.09	1.02	0.95	0.88	0.81	0.75	0.69	0.63	
180	1.30	1.22	1.14	1.07	1.00	0.93	0.86	0.80	0.74	
190	1.43	1.35	1.27	1.20	1.12	1.05	0.98	0.91	0.85	
200	1.56	1.48	1.40	1.32	1.25	1.17	1.10	1.03	0.96	
210	1.70	1.61	1.53	1.45	1.38	1.30	1.23	1.15	1.08	
220	1.83	1.75	1.67	1.58	1.51	1.43	1.35	1.28	1.20	
230	1.97	1.89	1.80	1.72	1.64	1.56	1.48	1.40	1.33	
240	2.11	2.02	1.94	1.85	1.77	1.69	1.61	1.53	1.45	
250	2.25	2.16	2.07	1.99	1.90	1.82	1.74	1.66	1.58	
260	2.39	2.30	2.21	2.12	2.04	1.95	1.87	1.79	1.71	
270	2.53	2.44	2.35	2.26	2.18	2.09	2.00	1.92	1.84	
280	2.67	2.58	2.49	2.40	2.31	2.22	2.14	2.05	1.97	
290	2.82	2.72	2.63	2.54	2.45	2.36	2.27	2.19	2.10	
300	2.96	2.86	2.77	2.68	2.59	2.50	2.41	2.32	2.24	

Note: To determine the capacity (expressed in MbH) at other than non-standard conditions (i.e., other than 180°F AWT and 65°F EAT), apply the correction factor from the above table for the desired condition to the capacities listed on the appropriate convector performance tables.



Convectors

Order Form



PO No.: _____

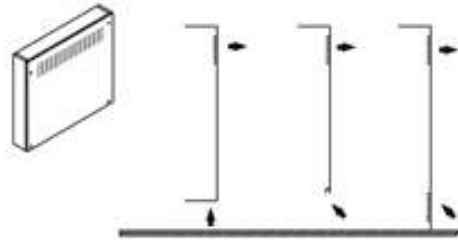
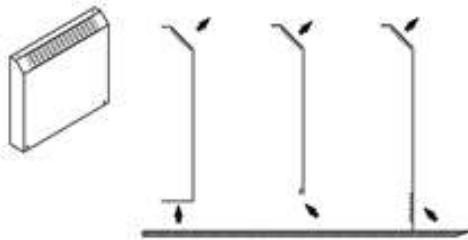
QUANTITY: _____

JOB NAME: _____

TAGS: _____

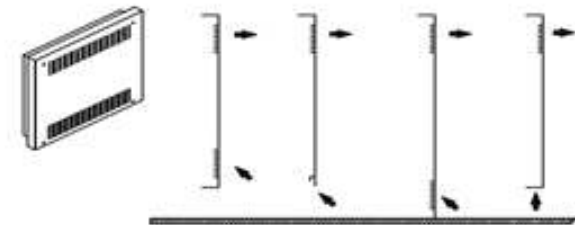
SECTION A: SELECT MODEL

SLOPED TOP CWS CWS-A CWS-B **EXPOSED** CWF CWF-A CWF-B



FULLY-RECESSED CFR CFR-A CFR-B

SEMI-RECESSED CSR CSR-A CSR-B CSR-C



SECTION B: SELECT OPTIONS

WIDTH	<input type="checkbox"/> 4W = 4"	<input type="checkbox"/> 6W = 6"	<input type="checkbox"/> 8W = 8"	<input type="checkbox"/> 10W = 10"	<input type="checkbox"/> Custom _____
LENGTH	<input type="checkbox"/> 16L = 16"	<input type="checkbox"/> 20L = 20"	<input type="checkbox"/> 24L = 24"	<input type="checkbox"/> 28L = 28"	<input type="checkbox"/> 32L = 32"
	<input type="checkbox"/> 36L = 36"	<input type="checkbox"/> 40L = 40"	<input type="checkbox"/> 44L = 44"	<input type="checkbox"/> 48L = 48"	<input type="checkbox"/> 56L = 56"
	<input type="checkbox"/> 64L = 64"	<input type="checkbox"/> 72L = 72"	<input type="checkbox"/> Custom _____		
HEIGHT	<input type="checkbox"/> 14H = 14"	<input type="checkbox"/> 18H = 18"	<input type="checkbox"/> 20H = 20"	<input type="checkbox"/> 24H = 24"	<input type="checkbox"/> 26H = 26"
	<input type="checkbox"/> 32H = 32"	<input type="checkbox"/> Custom _____			
ACCESS DOOR ⁽¹⁾	<input type="checkbox"/> Left	<input type="checkbox"/> Right	<input type="checkbox"/> Both	<input type="checkbox"/> None	
FRONT COVER GA	<input type="checkbox"/> STD 18 Ga	<input type="checkbox"/> 16 Ga	<input type="checkbox"/> 14 Ga	<input type="checkbox"/> Custom _____	
LINER GA	<input type="checkbox"/> STD 18 Ga	<input type="checkbox"/> 16 Ga	<input type="checkbox"/> 14 Ga	<input type="checkbox"/> Custom _____	
FASTENERS	<input type="checkbox"/> Standard		<input type="checkbox"/> Security		
MANUAL DAMPER	<input type="checkbox"/> No		<input type="checkbox"/> Yes		
FINISH	<input type="checkbox"/> No Paint	<input type="checkbox"/> Tinted White	<input type="checkbox"/> Beige	<input type="checkbox"/> Custom _____	
	<input type="checkbox"/> Primer	<input type="checkbox"/> Cameo	<input type="checkbox"/> Grey		
	<input type="checkbox"/> Snow White	<input type="checkbox"/> Soft Dove	<input type="checkbox"/> Satin Black		

Notes: (1) Access Door not available on convectors less than 20" high.

